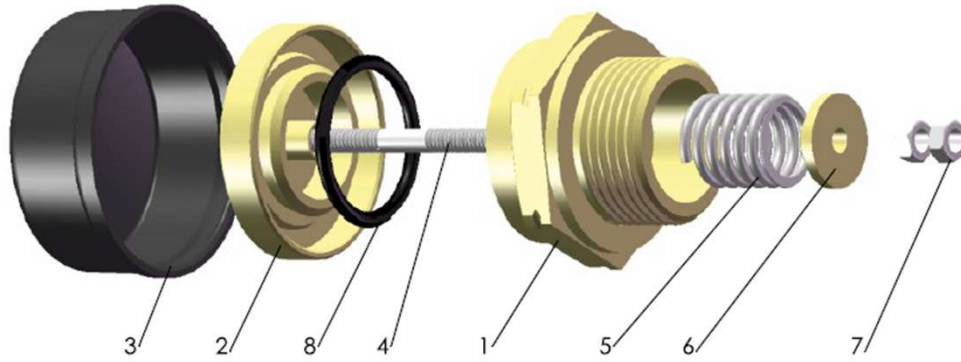
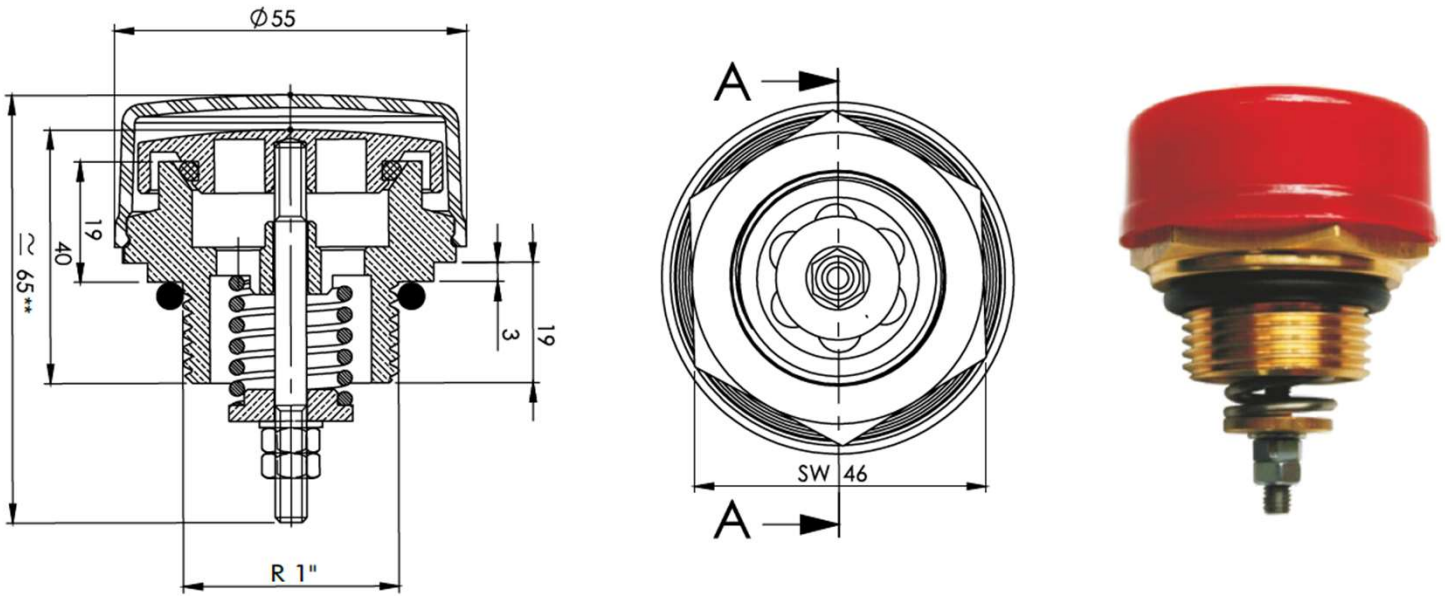
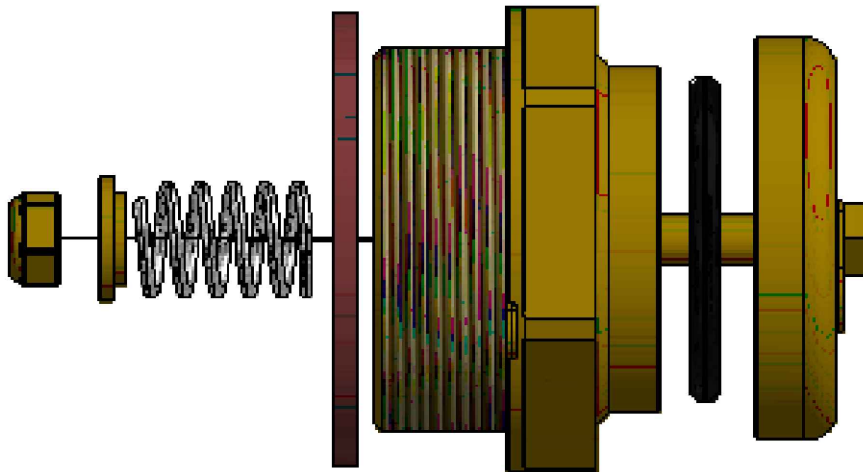
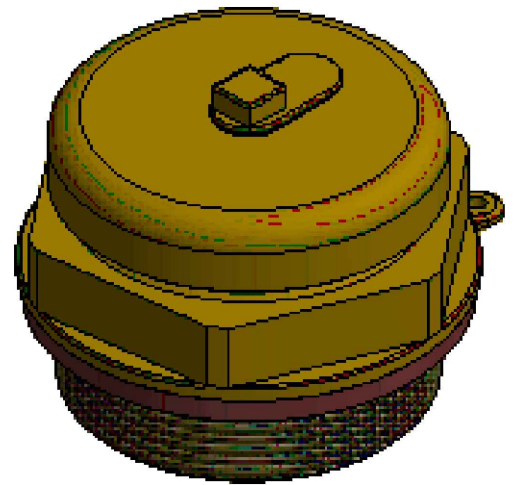
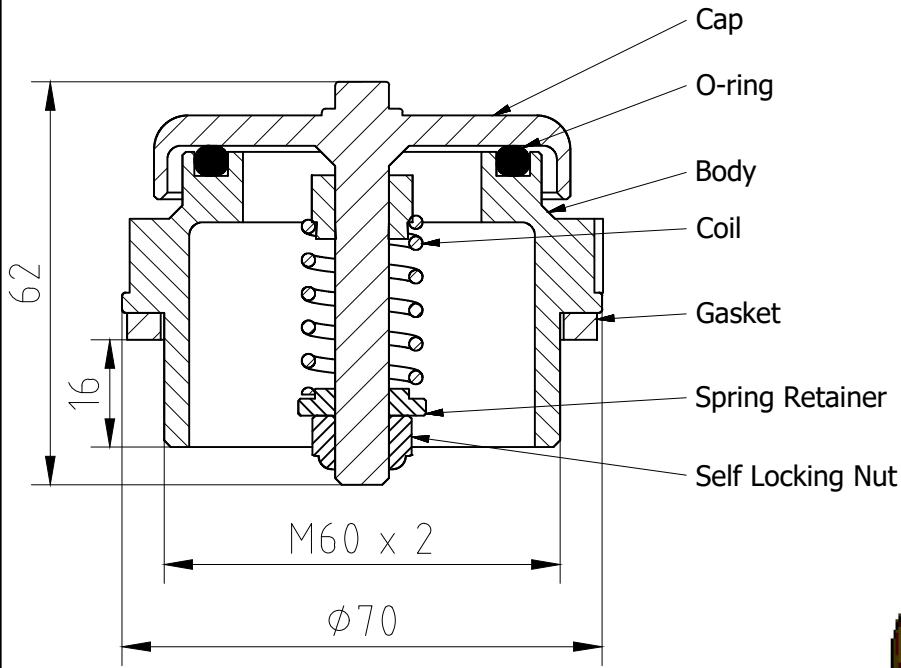



Pressure Relief Device 30kPa and 50kPa



No.	Description	Material	Qty.
1	Body	Brass	1
2	Cap	Brass	1
3	Protection Cap	PA6	1
4	Stud bolt	Stainless Steel	1
5	Spring	Stainless Steel	1
6	Washer	Brass	1
7	Nut	Stainless Steel	2
8	O Ring	NBR70	1

Type	Connection Diameter
PRD-50 kPa	1"
PRD-50 kPa	2"
PRD-30 kPa	1"



QTY	DESCRIPTION	POS	NO.MTL.	DIMENSION	WEIGHT	NO. ID	F	
-	-	-	-	-	-	-	-	
		Scale : NTS						
>	0	6	30	120	400	1000	22/01/19 00	
≤	6	30	120	400	1000	2000	AUL MA MA	
TOL	±0.1	±0.2	±0.3	±0.5	±0.8	±1.2	DATE REV DRAWN CHECKED APPROVED	
