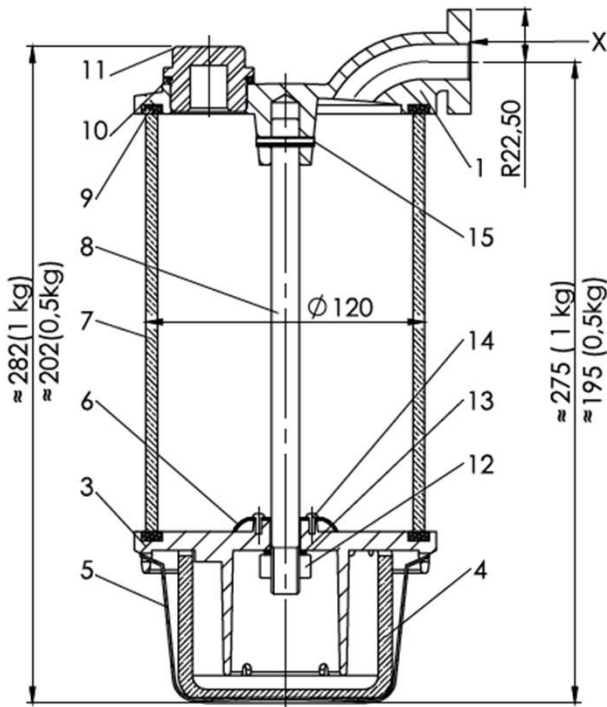
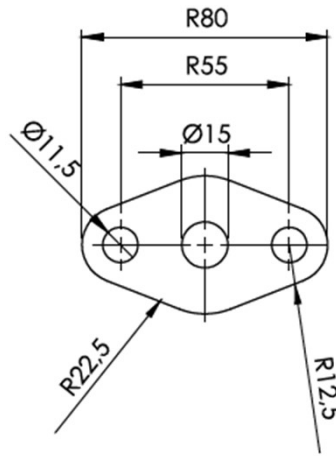


Air Breather DIN 42567 Type A



The top and the bottom sections : Casted aluminum
 Paint : RAL 7033 electrostatic powder
 Shafts : Nickel plated steel
 Container : Glass oil bowl polycarbonate
 Bowl Clamp : Stainless Steel

Silicagel Capacity	Form	Application	Transformer Oil Capacity
0.5 kg.	A	250 kVA	1800 kg.
1.0 kg.	A	250-5000 kVA	3600 kg.



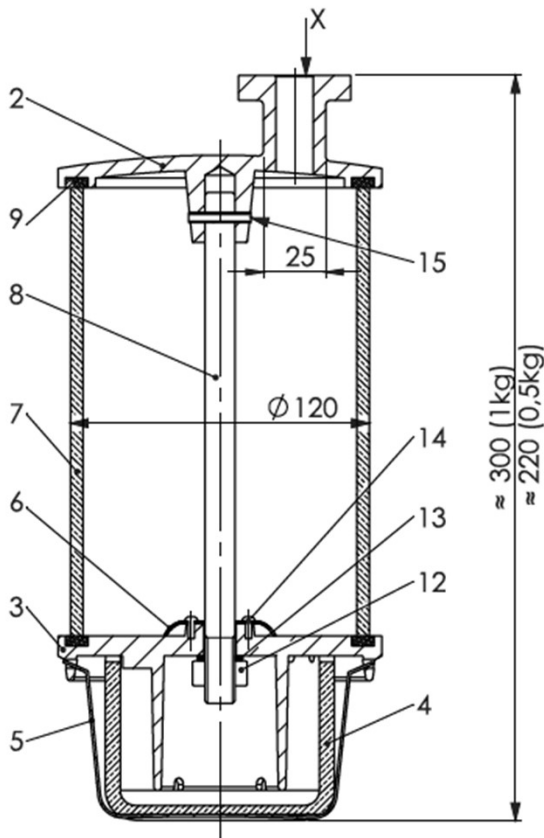
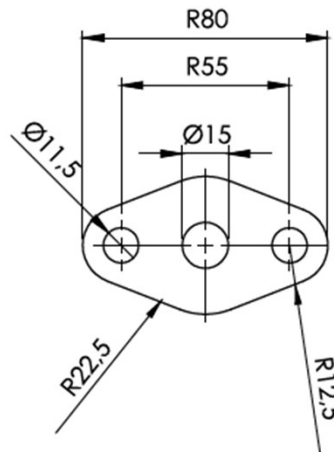
Pos. No.	Qty.	Description	Material
1	1	Top section	GD - AL lack RAL 7033
3	1	Bottom section	GD - AL lack RAL 7033
4	1	Oil bowl	Plexiges, klar
5	1	Holder	X 12 CrNi 177
6	1	Sieve	AL 1.5 Ø
7	1	Glass cylinder	Glass 120x5x100/180
8	1	Bridging plug	St 33 galv. zn M12x125/250
9	2	Gasket	NBR 70
10	1	Gasket	Asbestos free
11	1	Plug	GD - AL lack RAL 7033
12	1	Nut	M12 DIN 934 - 4D
13	1	Spring washer	B12 DIN 127
14	2	Rivet	2,5x4 Alu DIN 1476
15	1	Pin	4x24 DIN 1471

Air Breather DIN 42567 Type B



The top and the bottom sections : Casted aluminum
 Paint : RAL 7033 electrostatic powder
 Shafts : Nickel plated steel
 Container : Glass oil bowl polycarbonate
 Bowl Clamp : Stainless Steel

Silicagel Capacity	Form	Application	Transformer Oil Capacity
0.5 kg.	B	250 kVA	1800 kg.
1.0 kg.	B	250-5000 kVA	3600 kg.



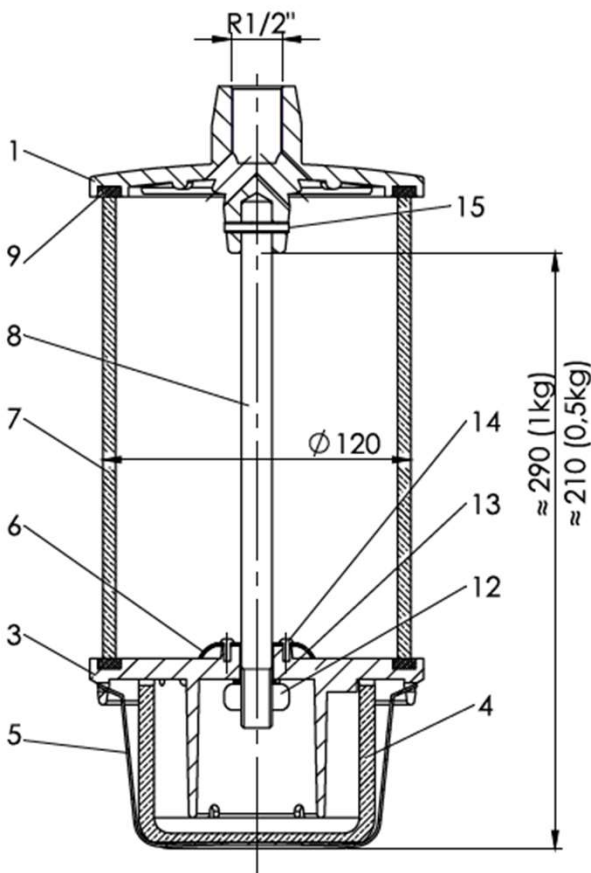
Pos. No.	Qty.	Description	Material
2	1	Top section	GD - AL lack RAL 7033
3	1	Bottom section	GD - AL lack RAL 7033
4	1	Oil bowl	Plexiges, klar
5	1	Holder	X 12 CrNi 177
6	1	Sieve	AL 1.5 Ø
7	1	Glass cylinder	Glass 120x5x100/180
8	1	Bridging plug	St 33 galv. zn M12x125/250
9	2	Gasket	NBR 70
12	1	Nut	M12 DIN 934 - 4D Galv. Zn
13	1	Spring washer	B12 DIN 127 - Galv. Zn
14	2	Rivet	2,5x4 Alu DIN 1476
15	1	Pin	4x24 DIN 1471

Air Breather DIN 42567 Type C



The top and the bottom sections : Casted aluminum
 Paint : RAL 7033 electrostatic powder
 Shafts : Nickel plated steel
 Container : Glass oil bowl polycarbonate
 Bowl Clamp : Stainless Steel

Silicagel Capacity	Form	R diameter			Application	Transformer Oil Capacity
0.5 kg.	C	R 1/2"	R 3/4"	R 1"	250 kVA	1800 kg.
1.0 kg.	C	R 1/2"	R 3/4"	R 1"	250-5000 kVA	3600 kg.



Pos. No.	Qty.	Description	Material
1	1	Top section	GD - AL lack RAL 7033
3	1	Bottom section	GD - AL lack RAL 7033
4	1	Oil bowl	Plexiges, klar
5	1	Holder	X 12 CrNi 177
6	1	Sieve	AL 1.5 Ø
7	1	Glass cylinder	Glass 120x5x100/180
8	1	Bridging plug	St 33 galv. zn M12x125/250
9	2	Gasket	NBR 70
12	1	Nut	M12 DIN 934 - 4D Galv. Zn
13	1	Spring washer	B12 DIN 127 - Galv. Zn
14	2	Rivet	2,3x5 DIN1476
15	1	Pin	4x24 DIN 1471