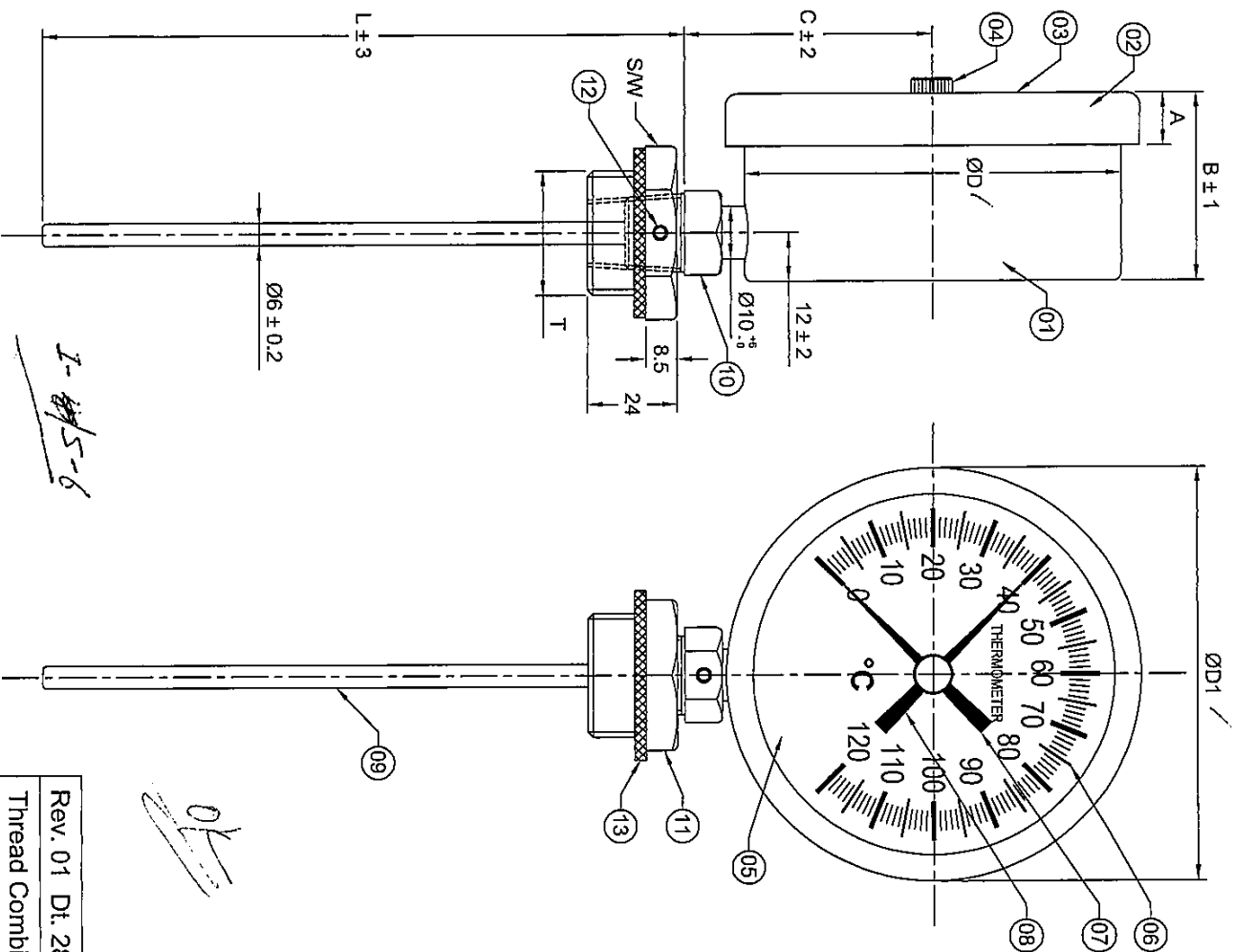


ØD	ØD1	L	A	B	C	Thread	T	SW	Setcrew	Gasket
75	85	165	13	48	55	G3/4"	32	M4x6	Ø32xØ26x3	
100	110	120	15	50	67	G1"	40	M4x10	Ø45xØ33x3	
75	85	120	13	48	55					
100	110	15	50	67						

Accuracy : ± 1%

Thread Combination :

Combination	Thread on Item No. 10	Thread on Item No. 11
01	1/2" NPT	G 3/4"
02	G 1/2" (with Klingler Gasket)	G 3/4"
03	1/2" NPT	G 1"
04	G 1/2" (with Klingler Gasket)	G 1"



Part No.	Description	Qty.	Technical Data / Designation
13	Gasket	01	Klingler
12	Setcrew	01	Stainless Steel
11	Gland	01	Brass
10	Connector	01	Brass
09	Stem	01	Stainless Steel Gr-304
08	Pointer Indicator	01	Red Glossy
07	Indicator	01	Satin Black
06	Scale	01	Snow White
05	Dial	01	Aluminium White
04	Reset Knob	01	Brass Nickel Plated
03	Window	01	UV Resistant Polycarbonate
02	Cover	01	Stainless Steel Gr-304
01	Case	01	Stainless Steel Gr-304

**MP metsonpower**

SCALE	TOLERANCE ISO 2768	REFERENCE DIM. IN	SIZE
NTS	CLASS F (M) C V	N/A	A4

TITLE :

BI-METAL THERMOMETER  
MODEL Ø75/100

Rev. 01 Dt. 28-05-21

Thread Combinations Added.

PREPARED BY:	NAME	SIGN.	DATE
S. SAHU			01 / 01 / 20

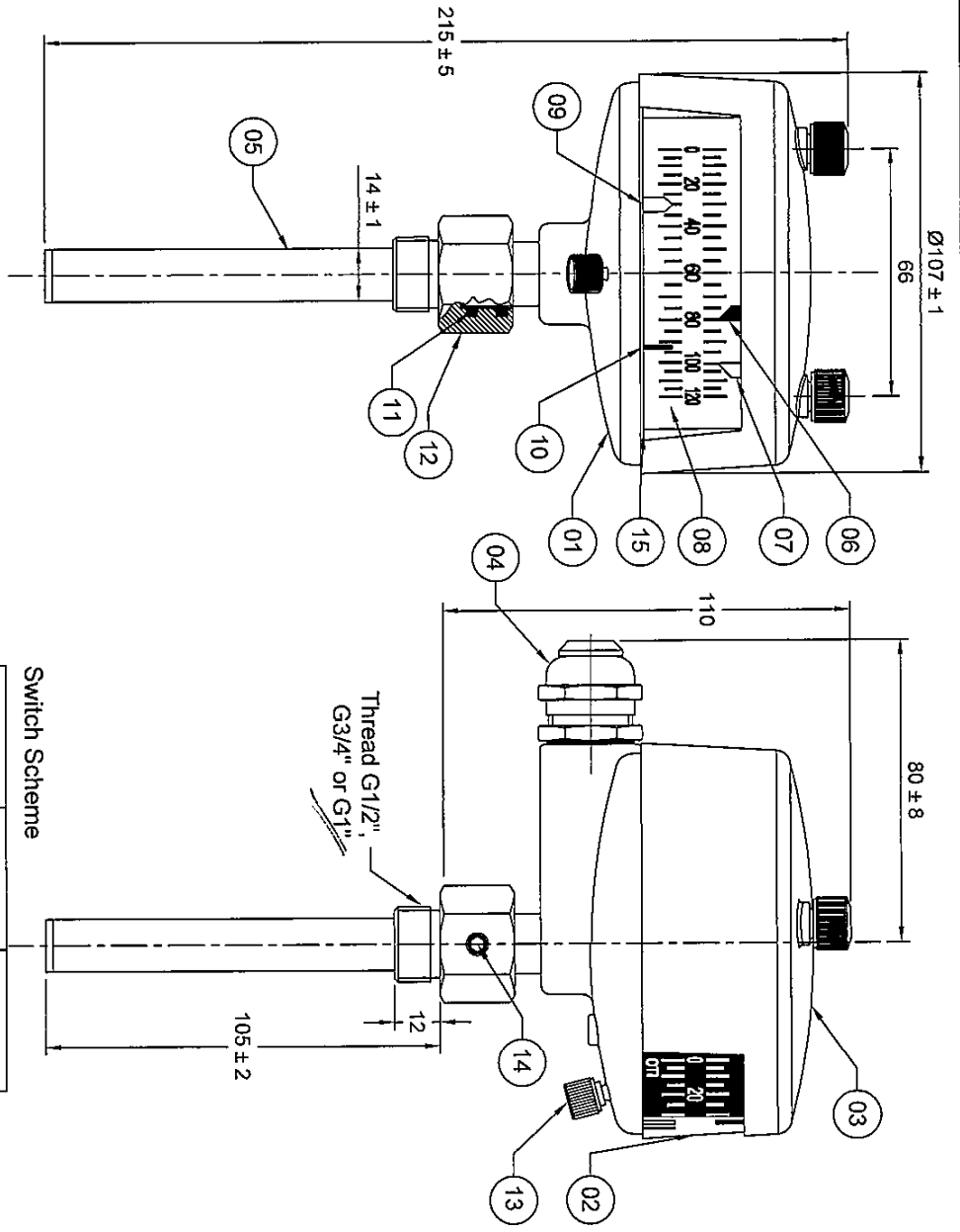
CHECKED BY:	NAME	SIGN.	DATE
PYUSH			01 / 01 / 20

APPROVED BY:	NAME	SIGN.	DATE
S. SURI			01 / 01 / 20

DOCUMENT NO.	REVISION:
4107002001-C001	0 1

I-~~5~~-6

OK

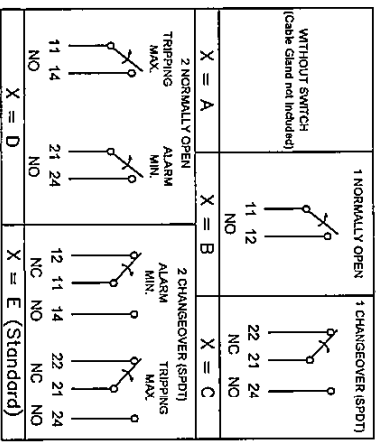


Model No.	Mounting Thread
21-33-V-22-X	G1/2"
21-33-V-33-X	G3/4"
21-33-V-44-X	G1"

In Model No. "X" is replaced by the One of the Switch Scheme.  
 Ex. : If Switch Scheme selected is "E", then Model No. for  
 G1/2" will be 21-33-V-22-E.

2-7  
 OK

Switch Scheme



- Note:
- 1) All Aluminium Parts are Shot Blasted and Powder Coated to RAL-7033.
  - 2) Scale Markings are Silver Color on Black Background.
  - 3) Window is UV Stabilized Polycarbonate and Unbreakable.
  - 4) All Nylon Items are UV Stabilized.
- Technical Specifications:
- 1) Operating Range : 0° to 120°C. Other Range on Request.
  - 2) Mounting : G1/2", G3/4" or G1" (Vertical Type).
  - 3) Accuracy : ±5°C
  - 4) Switch Rating : 5A 250V AC and 5A 24V DC.
  - 5) Protection Class : IP 55
  - 6) Insulation : 2KV for 1 Minute.

Bill of Material			
Part No.	Description	Qty.	Material
01	Body	01	Aluminium PDC
02	Window	01	Polycarbonate
03	Case	01	Aluminium
04	Cable Gland (PG 16)	01	Brass
05	Stem	01	Brass
06	Min. Temp. Set Pointer (Blue)	01	Nylon
07	Max. Temp. Set Pointer (Yellow)	01	Nylon
08	Indicating Scale (Silver on Black)	01	Aluminium
09	Temp. Indicating Pointer (White)	01	Nylon
10	Max. Indicating Pointer (Red)	01	Stainless Steel
11	O' Ring	02	Silicon
12	Hex. Adaptor	01	Aluminium
13	Set Knob	01	Brass
14	Grub Screw	02	Stainless Steel
15	Cover O' Ring	01	Silicon

**MP** m e t s o n p o w e r

SCALE: NTS

TITLE: OIL TEMPERATURE INDICATOR WITH SWITCH

TOLERANCE ISO 2768 f / (m) / c / v

NAME	DATE
PREPARED BY:	15/06/21
CHECKED BY:	15/06/21
APPROVED BY:	15/06/21

DRAWING NO. F21001001-C001

REVISION: 00

REF. SIZE: A4

ALL DIMENSIONS ARE IN mm.