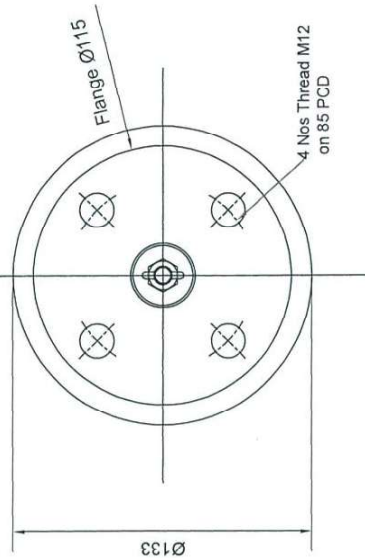
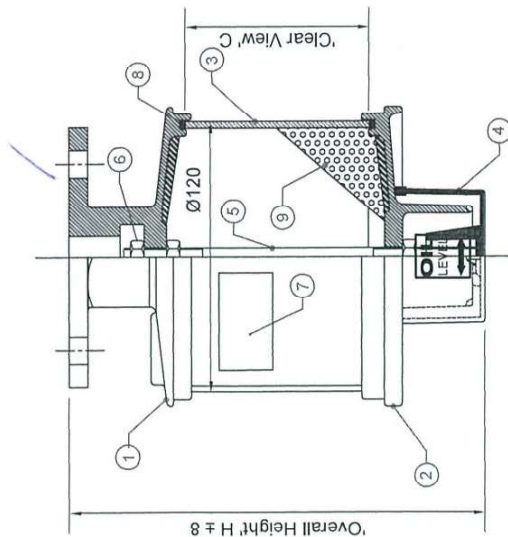


NOTE:

1. Breather aluminium parts shot blasted and powder coated with light grey shade as per IS - 631.
2. Breather assembly pressure tested at 0.35 kg/cm².
3. Fill oil in oil cup upto level marked during commissioning of breather.
4. Top and Bottom part are sealed off for shipping.
5. Silicagel is supplied with breather.
6. Silicagel change of color : Orange to Green.



BILL OF MATERIAL			
S. No.	Description	Qty.	Material
01	Top Part	01	Al. Pr. Die Cast
02	Bottom Part	01	Al. Pr. Die Cast
03	Transparent Container	01	Polycarbonate
04	Oil Cup Moulded	01	Polycarbonate
05	Tie Rod (Ø8)	01	Steel
06	Hex. Nut M8	03	Steel
07	Sticker	01	Plastic Printed
08	Sealing Gasket	02	Nitrile
09	Orange Round Shape 3-5Ø	See Table	Silicagel

TABLE OF DIMENSIONS

Model	Gel Qty.	Clear View 'C'	Total Height 'H'	Item Code
DTO-1	0.25 Kg.	30	135 165	18-01-OR-FL115-DTO-1-120 O/D
DTO-2	0.5 Kg.	60	165 205	18-01-OR-FL115-DTO-2-120 O/D

I-12
I-13

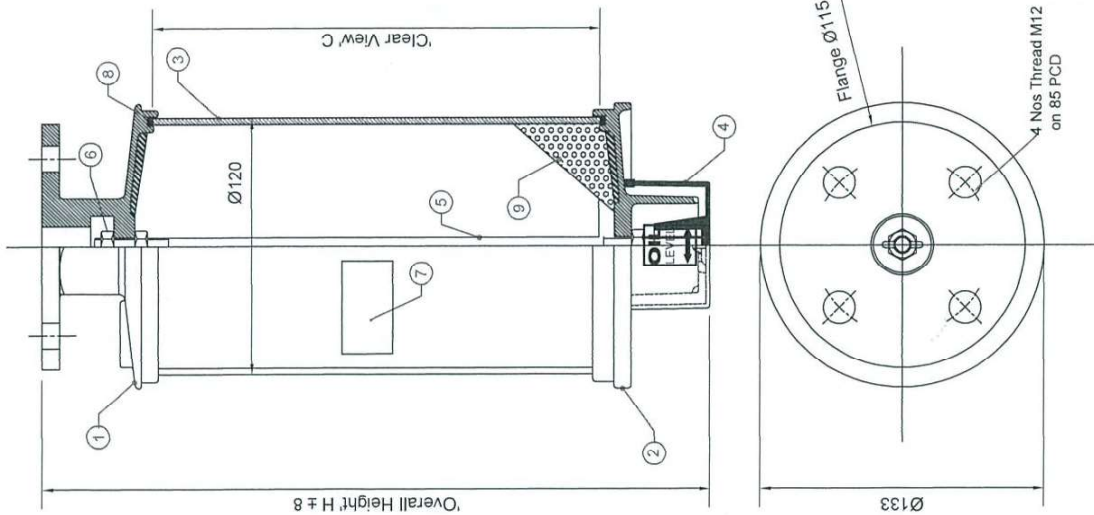
OK
FEMC

SCALE NTS	TOLERANCE ISO 2768 f / (m) / c / v	NAME	SIGN.	DATE
		PREPARED BY:		12 / 04 / 23
		CHECKED BY:		12 / 04 / 23
		APPROVED BY:		12 / 04 / 23
TITLE: CLEAR VIEW BREATHER 115 - FLANGE MOUNTING DTO - 1 & 2 ORANGE SILICAGEL		DRAWING NO. F18002018-C001		REVISION: 00
REF.			SIZE: A4	

ALL DIMENSIONS ARE IN mm.

NOTE:

1. Breather aluminium parts shot blasted and powder coated with light grey shade as per IS - 631.
2. Breather assembly pressure tested at 0.35 kg/cm².
3. Fill oil in oil cup upto level marked during commissioning of breather.
4. Top and Bottom part are sealed off for shipping.
5. Silicagel is supplied with breather.
6. Silicagel change of color : Orange to Green.



BILL OF MATERIAL			
S. No.	Description	Qty.	Material
01	Top Part	01	Al. Pr. Die Cast
02	Bottom Part	01	Al. Pr. Die Cast
03	Transparent Container	01	Polycarbonate
04	Oil Cup Moulded	01	Polycarbonate
05	Tie Rod (Ø8)	01	Steel
06	Hex. Nut M8	03	Steel
07	Sticker	01	Plastic Printed
08	Sealing Gasket	02	Nitrile
09	Orange Round Shape 3-5Ø	See Table	Silicagel

TABLE OF DIMENSIONS

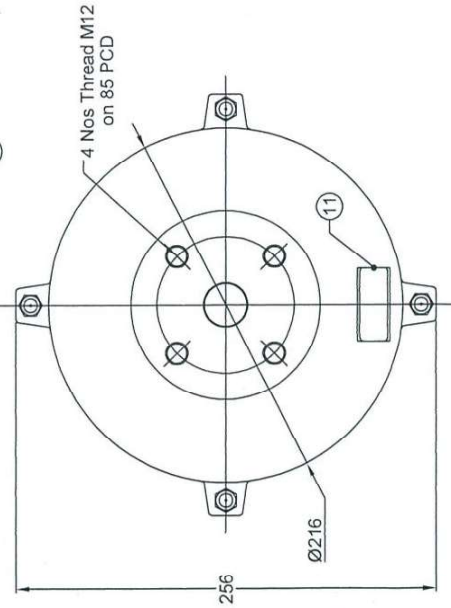
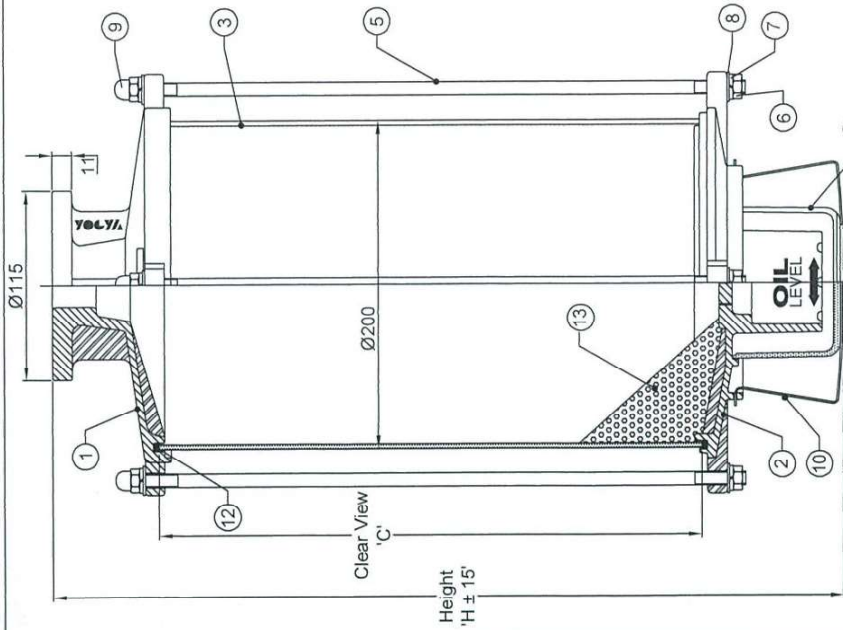
Model	Gel Qty.	Clear View 'C'	Total Height 'H'	Item Code
DTO-3	1.0 Kg.	120	225 <i>260</i>	18-01-OR-FL115-DTO-3-120 OD
DTO-4	1.5 Kgs.	180	285	18-01-OR-FL115-DTO-4-120 OD
DTO-4T	2.0 Kgs.	240	345	18-01-OR-FL115-DTO-4T-120 OD

SCALE NTS	TOLERANCE ISO 2768 f / m / c / v	NAME	SIGN.	DATE
		PREPARED BY:		12 / 04 / 23
		CHECKED BY:		12 / 04 / 23
		APPROVED BY:		12 / 04 / 23
TITLE :		DRAWING NO.		REVISION:
CLEAR VIEW BREATHER ORANGE-FLANGE MOUNTING DTO - 3, 4 & 4T WITH 115 O/D FLANGE		F18002019-C001		00
REF.				SIZE: A4

ALL DIMENSIONS ARE IN mm.

NOTE:

- Breather aluminium parts shot blasted and powder coated.
- Breather assembly is pressure tested at 0.35 kg/cm² for 30 minutes.
- Fill oil in oil cup, upto level marked, during commissioning of breather.
- Top and Bottom part are sealed off for shipping.
- Silicagel is supplied with breather. Silicagel change of color Orange to Green.
- Paint compatible to C-4. Paint Shade RAL-7035 with min. 160 micron Thickness.
- Breather is suitable for temperature range -35°C to +130°C.



BILL OF MATERIAL

Item No.	Description	Qty.	Material
01	Top Part	01	Al. Pr. Die Cast
02	Bottom Part	01	Al. Pr. Die Cast
03	Body Transparent	01	Polycarbonate
04	Oil Cup Moulded	01	Polycarbonate
05	Tie Rod (Ø8)	04	Stainless Steel 304
06	Hexagonal Nut M8	04	Stainless Steel 304
07	Spring Washer M8	08	Stainless Steel 304
08	Flat Washer M8	08	Stainless Steel 304
09	Hexagonal Dome Nut M8	04	Stainless Steel 304
10	Locking Clip	01	Stainless Steel 304
11	Name & Serial No. Plate	01	Stainless Steel 304
12	Sealing Gasket	02	EPDM Rubber
13	Orange Round Shape Gel	See Table	Silicagel

TABLE OF DIMENSION

Model	Silicagel (in Kgs.)	Clear View 'C'	Height 'H'	Item Code
DTO - 5	3.30	135	285	18-02-OR-FL-DTO-5
DTO - 6	4.75	200	350	18-02-OR-FL-DTO-6
DTO - 7	6.00	250	570 400	18-02-OR-FL-DTO-7
DTO - 7A	7.00	290	570 440	18-02-OR-FL-DTO-7A
DTO - 8	8.00	330	480	18-02-OR-FL-DTO-8
DTO - 9	10.00	400	550	18-02-OR-FL-DTO-9
DTO - 9A	12.00	480	630	18-02-OR-FL-DTO-9A
DTO - 10	15.00	600	750	18-02-OR-FL-DTO-10

NAME: _____ SIGN: _____

DATE: 12/04/23

PREPARED BY: _____

CHECKED BY: _____

APPROVED BY: _____

DATE: 12/04/23

TOLERANCE ISO 2768

f / m / c / v

SCALE: NTS

TITLE: BREATHER ASSY.
MODEL DTO-5 TO 10
WITH ORANGE SILICAGEL

DRAWING NO. **F18005001-C001**

REVISION: **00**

SIZE: **A4**

REF. _____

ALL DIMENSIONS ARE IN mm.