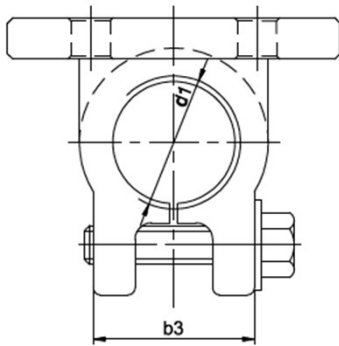
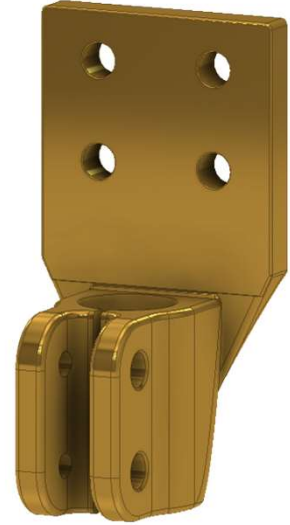
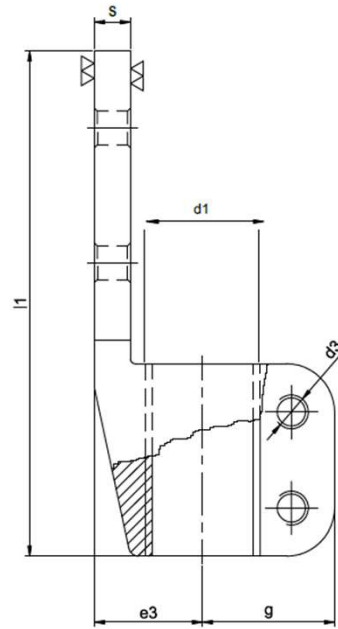
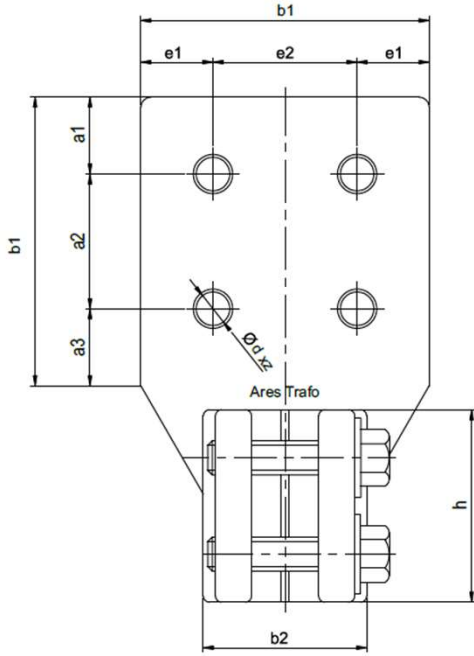


BUSHING CONNECTION FLAG DIN 43675

RATED 2000A-4500A



Type	d1	b1	e1	e2	b2	e3	h	a1	l1	a2	s	g	z	D	w(kg)
FP 2000	M42x3	10 0	25	50	58	40	80	20	19 0	40	15	55	4	14	3.20
FP 3150	M48x3	12 0	30	60	68	45	80	20	21 0	40	15	55	4	14	4.35
FP 4500	M55x3	15 0	40	75	85	30	90	40	25 0	70	20	75	4	18	7.55