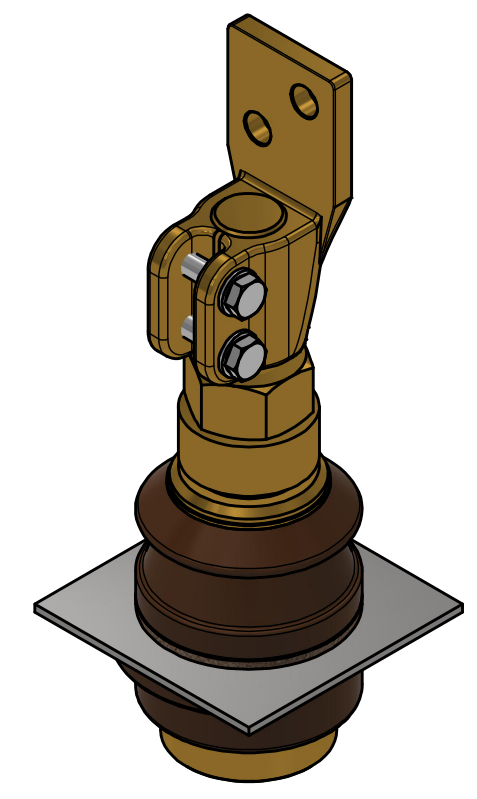
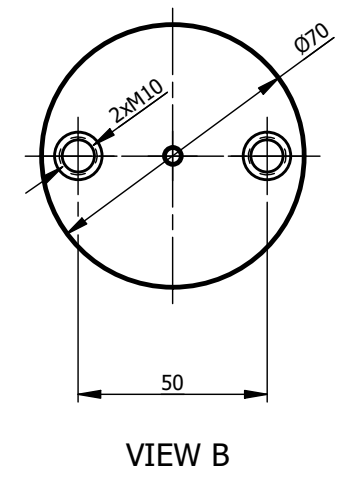
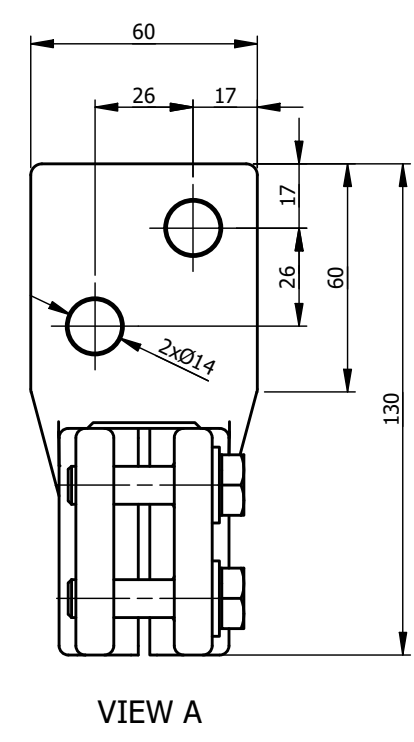
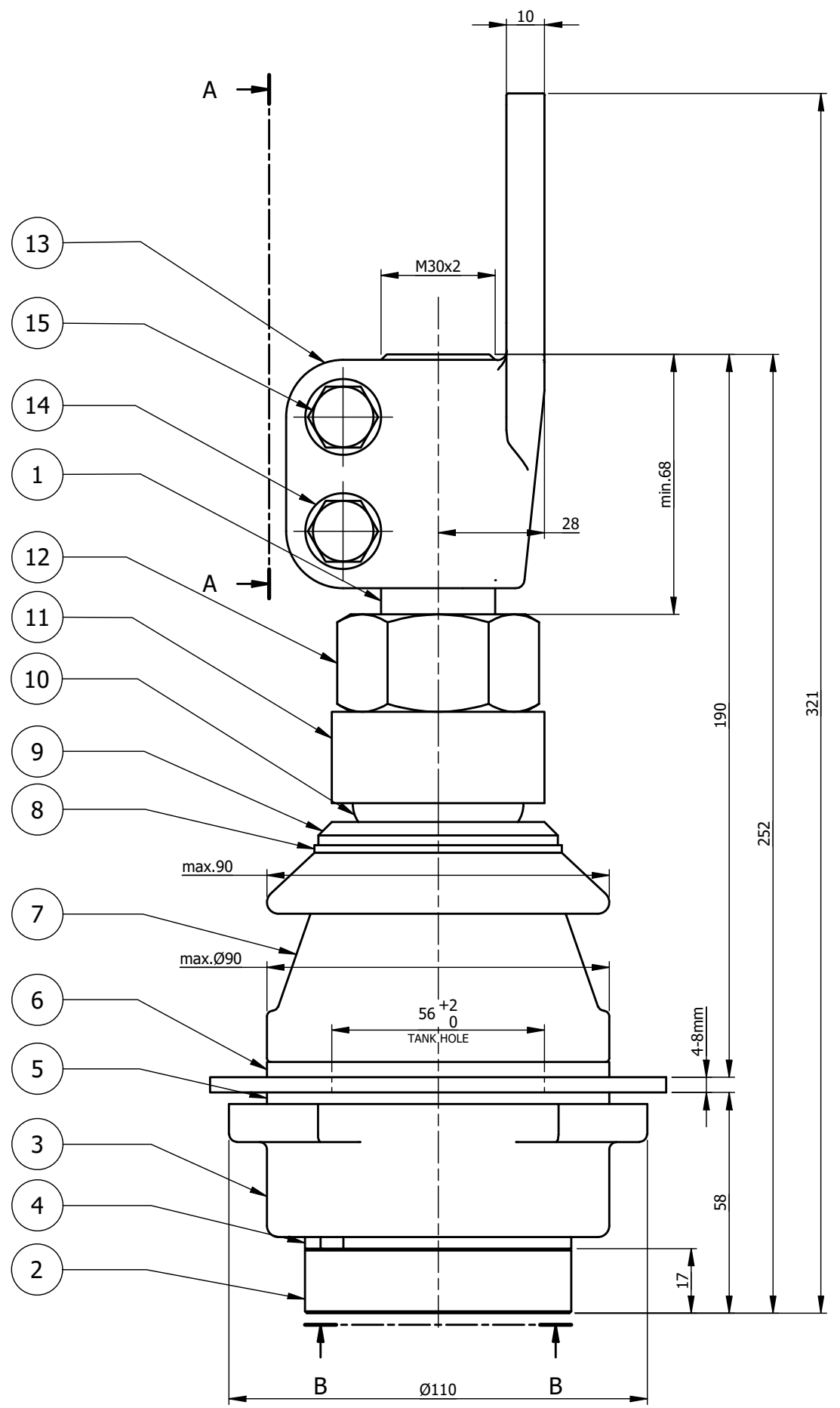


This document is the exclusive property of METSON POWER. And shall not be used, copied or communicated to third parties without its prior authorisation.



CREEPAGE DISTANCE : 75mm

ITEM	QTY	DESCRIPTION	DIMENSION	MAT'L	ITEM CODE	REMARKS
15	2	Bolt M10x40	-	Stainless Steel		
14	2	Plain Washer M10	-	Stainless Steel		
13	1	Connection Flag	130x60x30	Brass		
12	1	Brass Full Nut M30	-	Brass		
11	1	"E" Cap	Ø56xØ31x24	Brass		
10	1	"J" Gasket 45x30x16	-	NBR		
9	1	"G" Washer	Ø63xØ31x6	Brass		
8	1	"M" Gasket 65x32x2	-	Cork Rubber		
7	1	Top Insulator	Ø90xØ32x85	Ceramic Porcelain		
6	1	"N" Gasket 90x56x6	-	Cork Rubber		
5	1	"X" Gasket 90x56x3	-	Pressboard		
4	1	"R" Gasket 70x45x3	-	Pressboard		
3	1	Bottom Porcelain	110x90x35	Ceramic Insulator		
2	1	Stem Bottom Part	Ø70x29	Brass		
1	1	Stem	M30x245	Copper		

ITEM	QTY	DESCRIPTION	DIMENSION	MAT'L	ITEM CODE	REMARKS
01						
00	28/07/23	RV	MA	MA	Original	
Rev	Date	Drw	Chk	App	Description	
General Tolerance			All dimension in millimetres unless otherwise stated			
Machining : ISO 2768 - Coarse			IF IN DOUBT - PLEASE ASK !			
			Title			
			LV Bushing 1kV/1250A DIN 42350			
Metson Power Fatih sultan Mehmet Bulv.inonu Mah. No 412B Blok Daire 57, Yenimahalle, Ankara TURKEY			Description		Scale	
			GA DWG BSH DT1/1250A		1 : 1.5	
Drawing No. ID_A0203100			Sheet No.	Total Sheet	Size	1 1 A3
			1	1	A3	