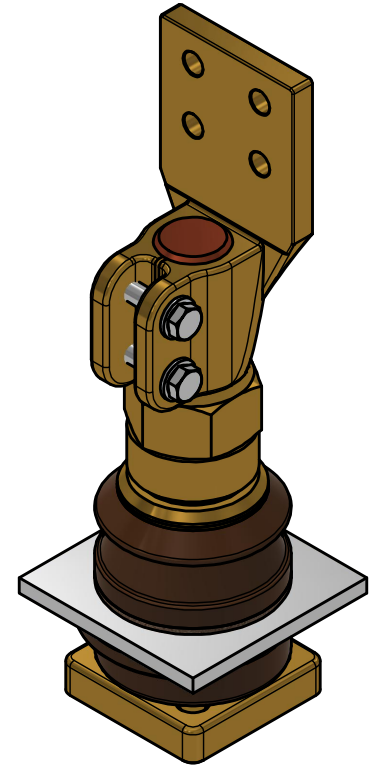
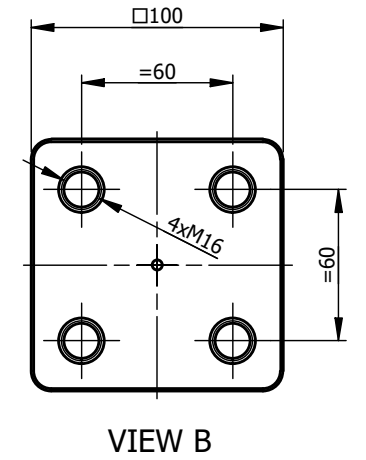
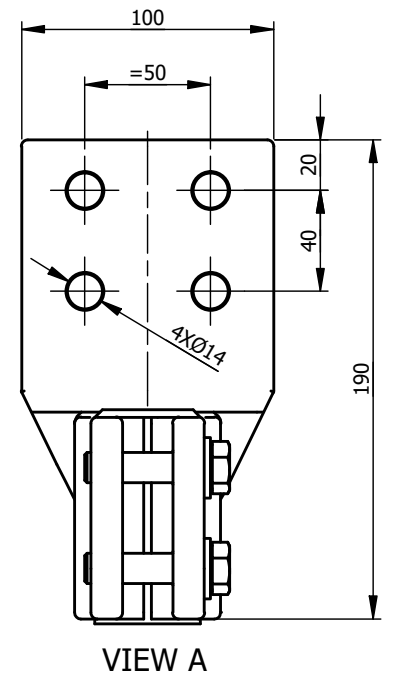
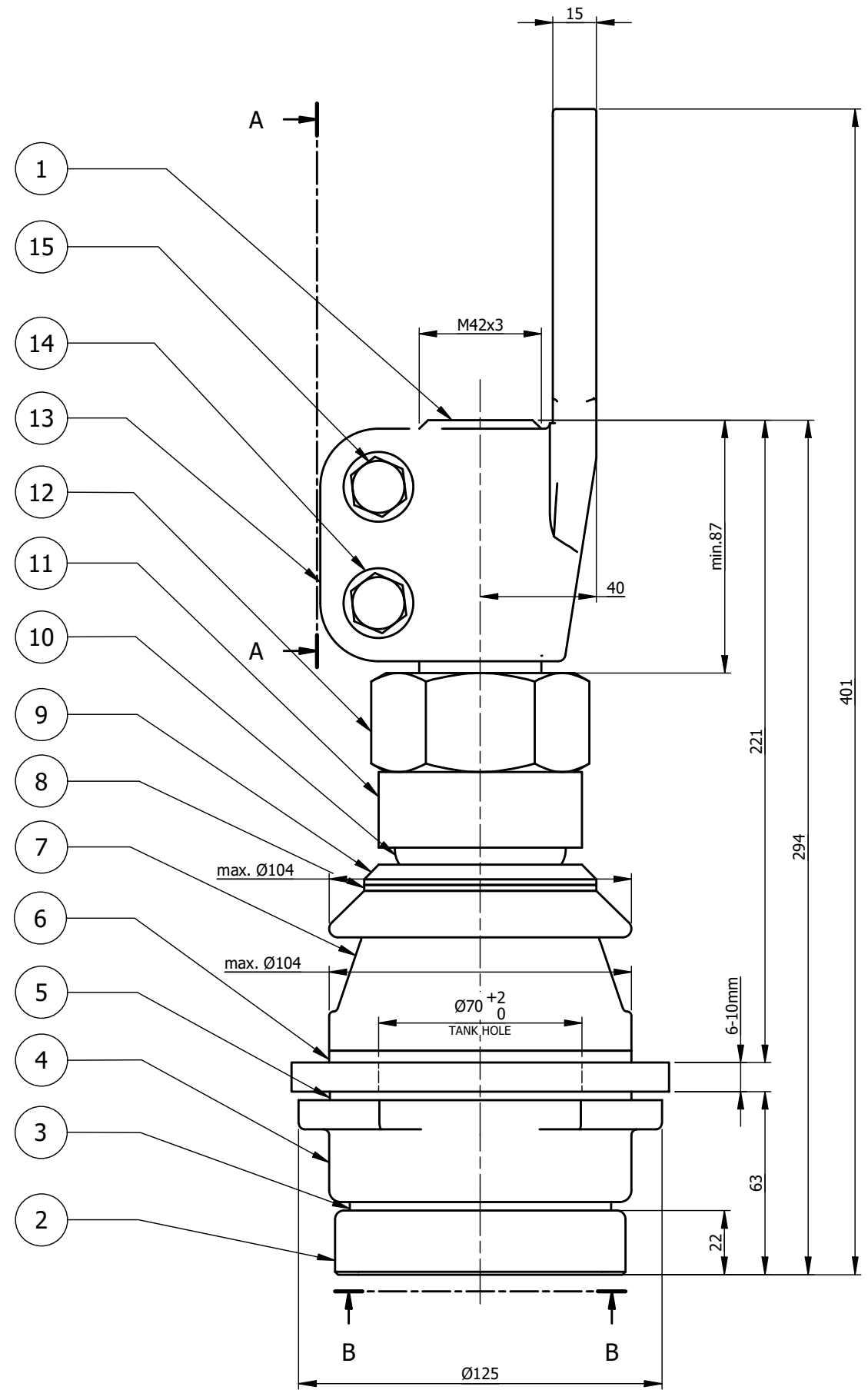


This document is the exclusive property of METSON POWER. And shall not be used, copied or communicated to third parties without its prior authorisation.



CREEPAGE DISTANCE : 75mm

ITEM	QTY	DESCRIPTION	DIMENSION	MAT'L	ITEM CODE	REMARKS
15	2	Bolt M12x50	-	Stainless Steel		
14	2	Plain Washer M12	-	Stainless Steel		
13	1	Connection Flag	190x100x15	Brass		
12	1	Brass Full Nut M42	-	Brass		
11	1	"E" Cap	Ø70xØ43x26	Brass		
10	1	"J" Gasket 59x42x18	-	NBR		
9	1	"G" Washer	Ø80xØ43x7	Brass		
8	1	"M" Gasket 80x45x2	-	Cork Rubber		
7	1	Top Porcelain	Ø104xØ44x85	Ceramic Porcelain		
6	1	"N" Gasket 104x70x6	-	Cork Rubber		
5	1	"X" Gasket 104x70x3	-	Pressboard		
4	1	Bottom Porcelain	125x104x35	Ceramic Porcelain		
3	1	"R" Gasket 90x63x3	-	Pressboard		
2	1	Stem Bottom Part	100x100x34	Brass		
1	1	Stem	M42x287	Copper		

ITEM	QTY	DESCRIPTION	DIMENSION	MAT'L	ITEM CODE	REMARKS
00	04/08/23	RV	MA	MA	Original	
Rev	Date	Drw	Chk	App	Description	
General Tolerance			All dimension in millimetres unless otherwise stated			
Machining : ISO 2768 - Coarse			IF IN DOUBT - PLEASE ASK !			
			Title			
			LV Bushing 1kV/2000A DIN			
Metson Power Fatih sultan Mehmet Bulv.inonu Mah. No 412B Blok Daire 57, Yenimahalle, Ankara TURKEY			Description		Scale	
			DT1/2000A		1 : 2	
Drawing No.			Sheet No.		Total Sheet	Size
			ID_A0204100		1	1